

Hose Roller STKi2 Series with manual crank handle



PIJTTERSEN

Pijttersen B.V.
Stavangerweg 14A
9723 JC GRONINGEN
THE NETHERLANDS

Tel.: +31 (0)50-8200963
E-mail : info@pijttersen.nl / info@catpumps.nl
Internet: www.pijttersen.nl / www.catpumps.nl



The Pumps with Nine Lives

Hose Roller STKi2 Series

with manual crank handle



The STKi2 series for all craft and industrial applications is made from stainless steel, material 1.4301 (V2a) and 1.4571 (V4a)** with crank handle.

The base frame is made from folded sheet steel profiles guaranteeing highest stability.

The drum has a virtually closed steel plate hub and runs in no-maintenance synthetic gliding bearing bushes.

The drum rotates by means of an **adjustable crank handle** with a free-turning polyamide grip.

A **mechanical brake** integrated in the bearing permits a fine setting of the drum braking through to a complete stop. See detail "A".

Additional locking by means of a stop bolt: On special demand all variations can be equipped with an additional locking: The drum of each type can be stopped at 5 positions each per drum rotation thanks to a spring-assisted stop bolt. See detail B!

A **tube adapter, detail C**, welded to the axle is provided for easy hose connection with no sharp hose bends.

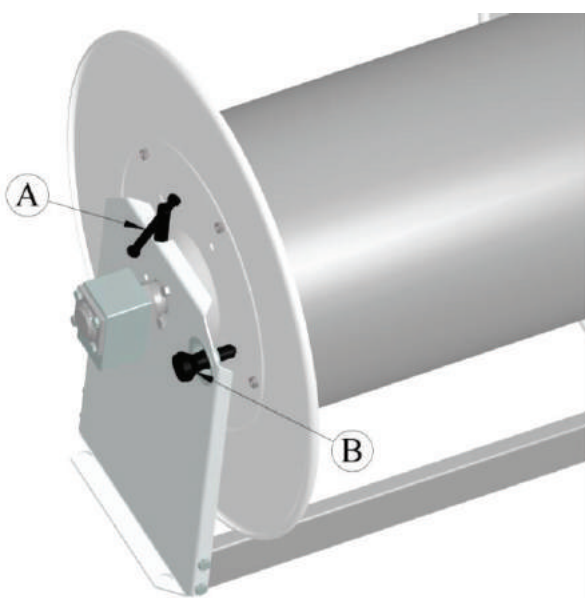
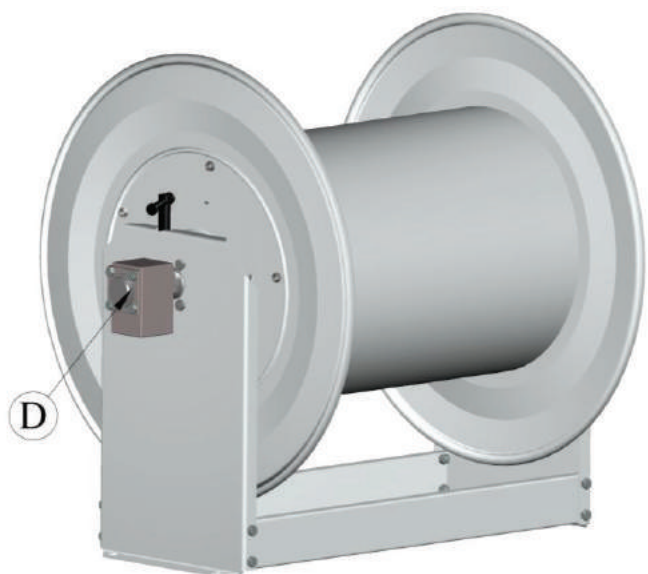
The tried and tested WDT system is used for the **angular swivel**. Detail D.
The following nominal widths are available:
 $\frac{1}{2}$ ", $\frac{3}{4}$ ", 1"

Areas of application:

For water or water with cleaning chemicals, air, oils and greases. See table next page for permissible pressures, temperatures and hose lengths.

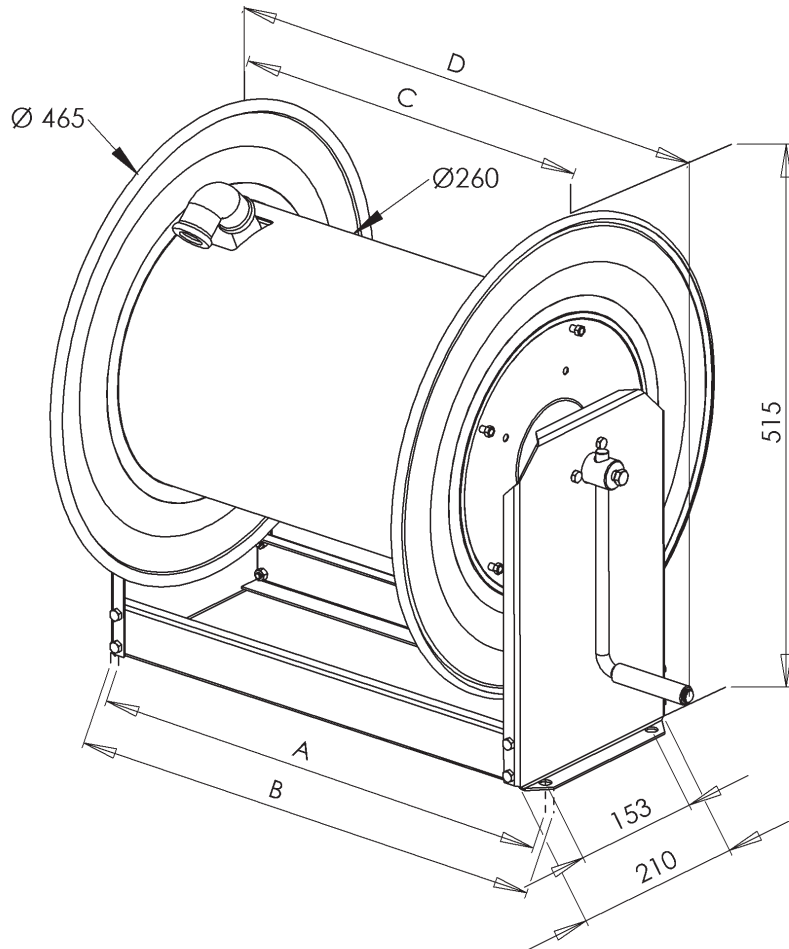
Virtually any hose length can be implemented simply by extending the drum hub and the cross strut.

*** The standard special steel is not suitable for use in chlorous surroundings (swimming pools etc) or under the influence of seawater. For those special conditions special stainless steel of higher quality, material No.1.4571 (V4a) has to be used.



Technical data see next page!

Technical Data STKi2



Swivel



Brake handle



Crank handle

Type	Product-no. Pijttersen	Weight [kg]	Enrollable hose lengths [m]	Hose-Ø [mm]	Max. pressure [bar]	Dimensions [mm]			Material of the swivel	
						Nominal-width/thread	A	B		C
STKi2 20/12	2105.300	10,5	35	22	200 *	12 = ½"i	287	312	200	Al/V2a
STKi2 20/19	2105.305	11,7	20	28	200	19 = ¾"i	287	312	200	Ms/V2a
STKi2 20/24	2105.310	12,0	15	35	100	24 = 1"i	287	312	200	Ms/V2a
STKi2 40/12	2105.320	13,5	70	22	200 *	12 = ½"i	487	512	400	Al/V2a
STKi2 40/19	2105.325	14,7	40	28	200	19 = ¾"i	487	512	400	Ms/V2a
STKi2 40/24	2105.330	15,0	33	35	100	24 = 1"i	487	512	400	Ms/V2a
STKi2 50/12	2105.335	14,6	85	22	200 *	12 = ½"i	587	612	500	Al/V2a
STKi2 50/19	2105.340	15,8	50	28	200	19 = ¾"i	587	612	500	Ms/V2a
STKi2 50/24	2105.345	16,1	43	35	100	24 = 1"i	587	612	500	Ms/V2a
STKi2 60/12	2105.350	15,7	100	22	200 *	12 = ½"i	687	712	600	Al/V2a
STKi2 60/19	2105.355	16,9	60	28	200	19 = ¾"i	687	712	600	Ms/V2a
STKi2 60/24	2105.360	17,2	52	35	100	24 = 1"i	687	712	600	Ms/V2a
STKi2 70/12	2105.365	16,8	115	22	200 *	12 = ½"i	787	812	700	Al/V2a
STKi2 70/19	2105.370	18,0	70	28	200	19 = ¾"i	787	812	700	Ms/V2a
STKi2 70/24	2105.375	18,3	61	35	100	24 = 1"i	787	812	700	Ms/V2a
STKi2 80/12	2105.380	17,9	130	22	200 *	12 = ½"i	887	912	800	Al/V2a
STKi2 80/19	2105.385	19,1	80	28	200	19 = ¾"i	887	912	800	Ms/V2a
STKi2 80/24	2105.390	19,4	70	35	100	24 = 1"i	887	912	800	Ms/V2a

☒ In case pressures up to 300 bar are required the 3/8" swivel WDH10 can be used. The standard gaskets and bearing bushes permit working temperatures up to 100°C. Materials which permit working temperatures up to 180°C are available at an extra charge.