

Hose Reels

Automatic spring return type ST



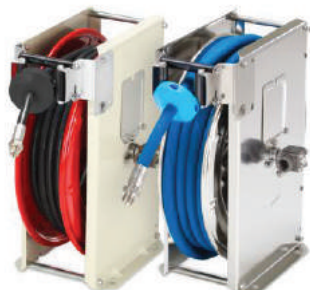
PIJTTERSEN

Pijttersen B.V.
Stavangerweg 14A
9723 JC GRONINGEN
THE NETHERLANDS

Tel.: +31 (0)50-8200963
E-mail : info@pijttersen.nl / info@catpumps.nl
Internet: www.pijttersen.nl / www.catpumps.nl

**CAT
PUMPS**
The Pumps with Nine Lives

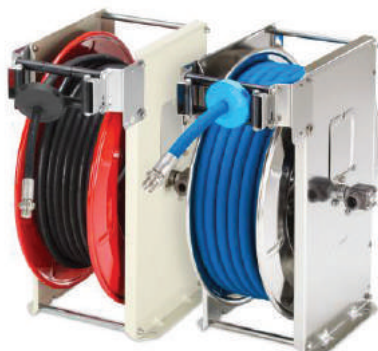
Hose Reels Type ST automatic spring return



ST14/10 und ST14/10e



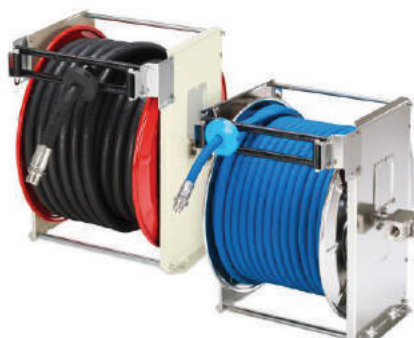
ST20/10 und ST20/10e



ST30/10 und ST30/10e



ST40/10/2 und ST40/10/2e



ST40/19/2 und ST40/19/2e

A large range of hose reels to suit all applications.

Description:

The ST range is a robust and reliable range of hose reel with automatic spring return with the following details.

Choice of construction material

Steel, powder coated (Application in dry areas)

Special stainless steel (Application in wet areas)

Special stainless steel, electropolished (Application in hygienic areas)

Reel Bearing specifications:

Synthetic gliding bearing, maintenance free, chemical resistant, entirely resistant against moisture and dirt.

Motive Spring

High quality texture and spring band steel for maximum service life.

Tension release:

The hose can be stopped at 9 positions per each rotation. A short pull of the hose releases the locking device.

Swivel

The standard swivels are provided with axles made from special stainless steel. Depending on the nominal width the housing consists of either hard anodized aluminium die cast alloy or nickel-plated brass. All types can be supplied entirely made from special stainless steel upon request.

Inflow window of the hose

Depending on the pulling direction of the hose the inflow window of the hose can be mounted in various positions.

Mounting possibilities:

The page "Mounting Examples" of this prospectus shows some of the Mounting possibilities of the hose reels with or without the available mounting consoles.

Areas of application

Water, water with chemical cleaning substances, air, oils and greases.

Technical details and measurements

See data sheets on the following pages.

Normally the maximum allowed operating temperature for the hose reels is 100°C. In case of necessity it can be modified up to 180°C.

Accessories

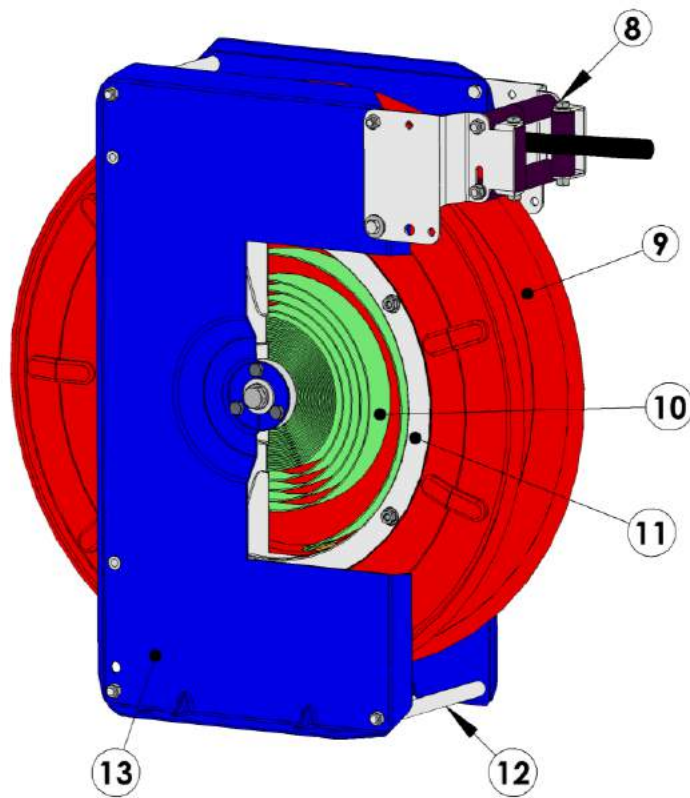
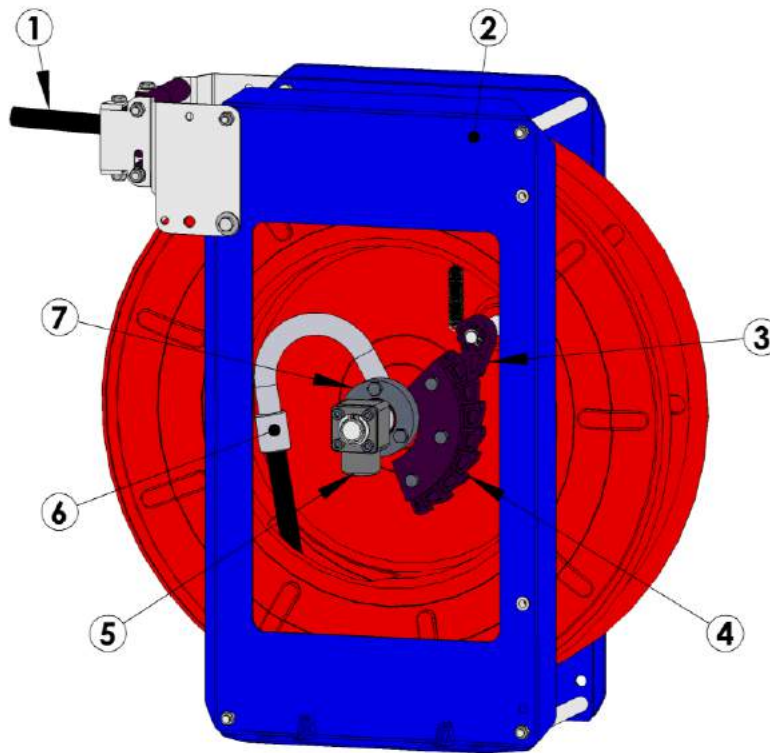
Please contact Pijttersen for our large range of accessories.



PIJTTERSEN

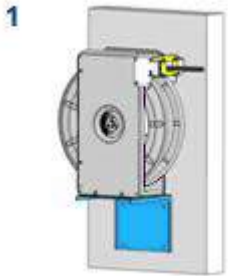
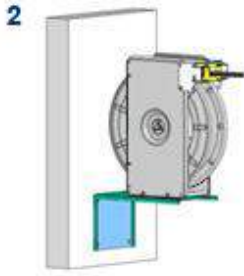
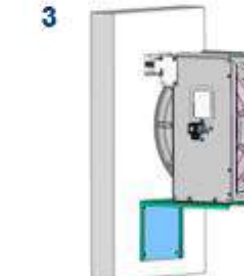
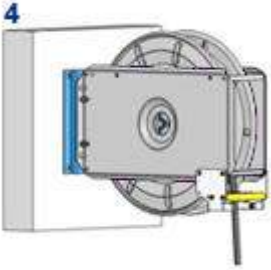
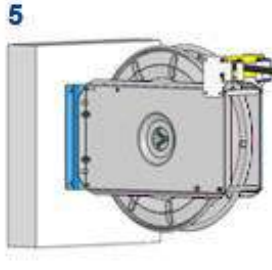

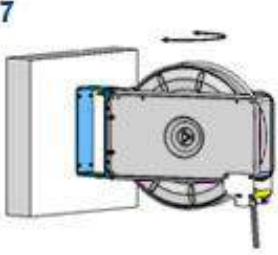
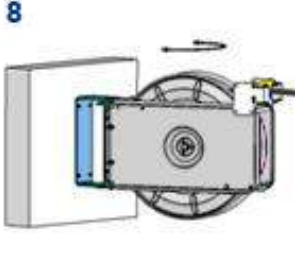
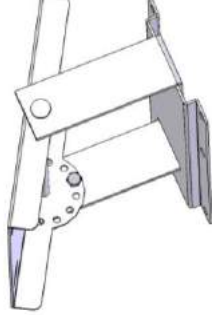
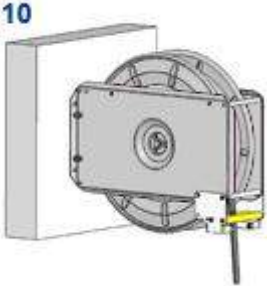
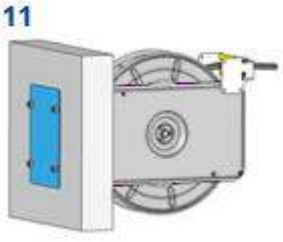

E-mail : info@pijttersen.nl / info@catpumps.nl
Internet: www.pijttersen.nl / www.catpumps.nl

Sectional drawing, Serie ST

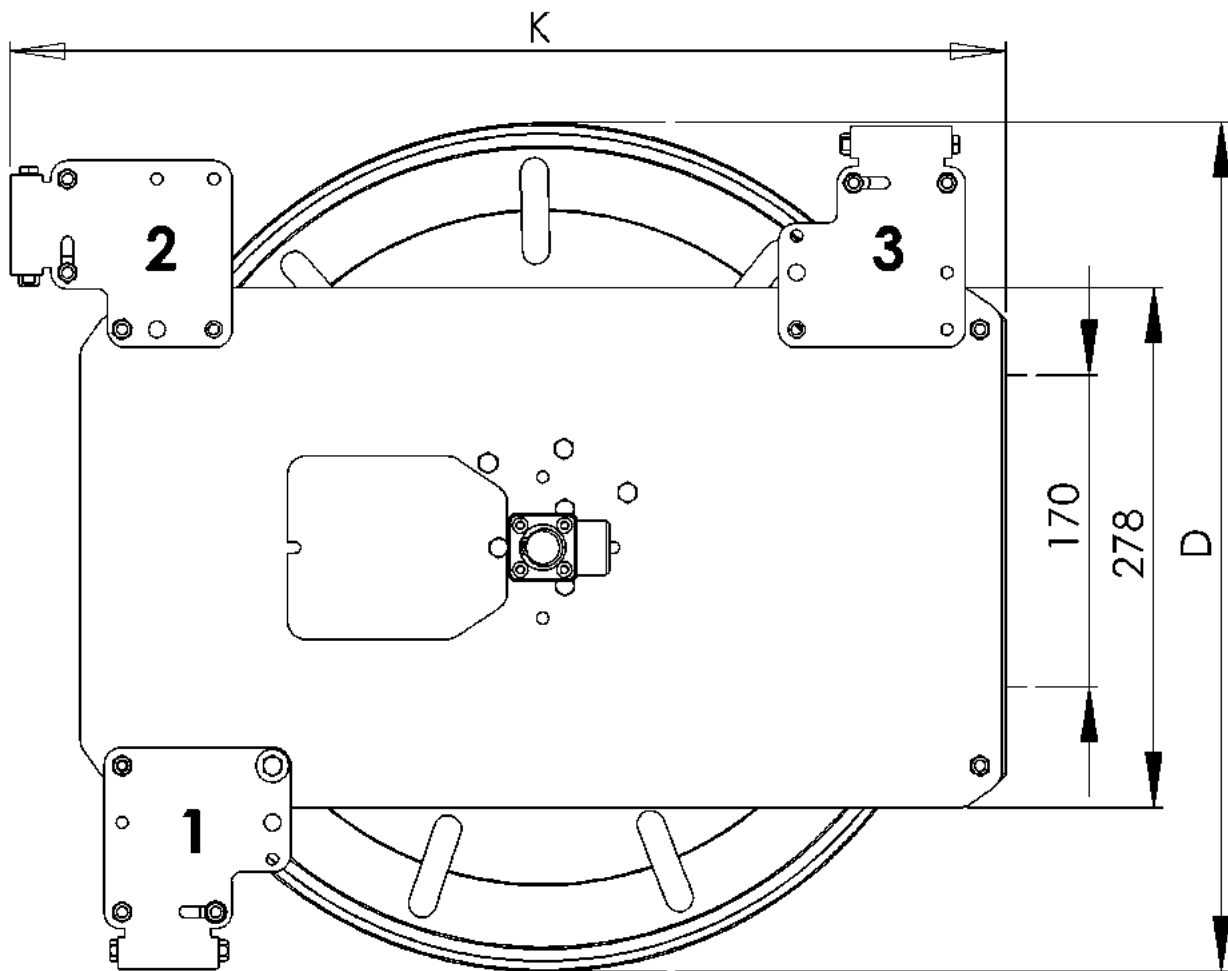
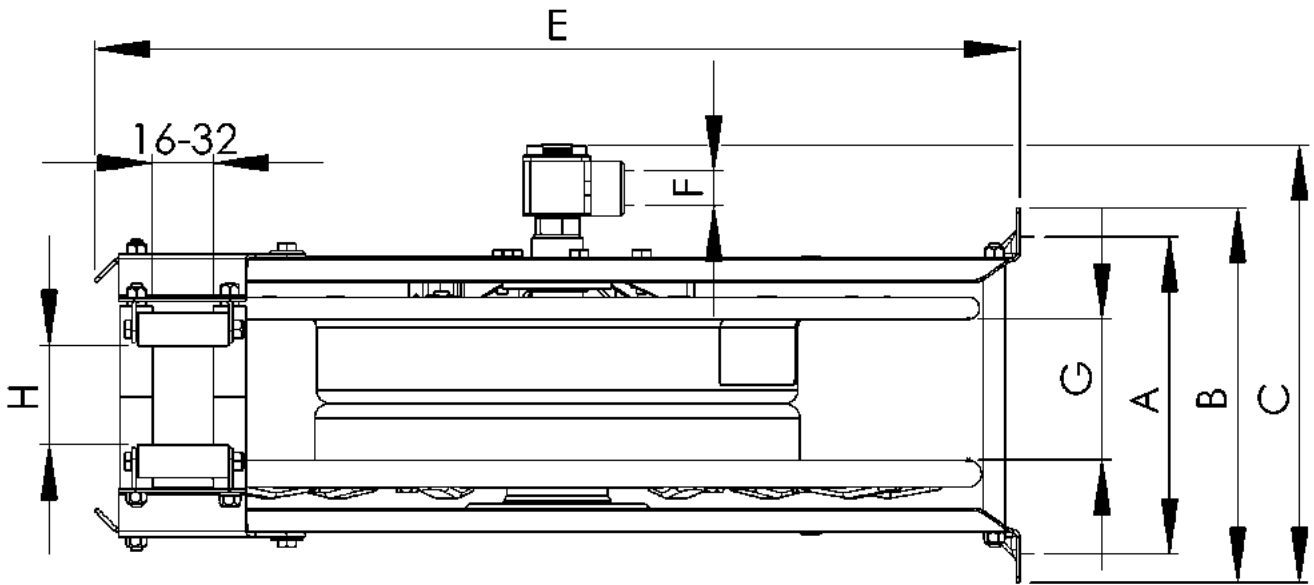


Point	Description
1	Working hose
2	Stand, right side
3	Pawl
4	Toothed quadrant
5	Joint for feeder hose
6	Joint for working hose
7	Reel bearing
8	Inflow window
9	Drum
10	Motive spring
11	Cover for spring (cut)
12	Spacer tube
13	Stand, left side

Mounting Examples for Hose reels type ST and ST/Ex

<p>1 Angled console for fast wall mounting, parallel to the wall, Type KHDp.</p> 	<p>2 Angled console for fast wall mounting, at right-angles to the wall, Type KHDr.</p> 	<p>3 Angled console for fast wall mounting with wall duct, Type KHDr</p> 
<p>4 Console for fastening to wall and ceiling, Type KWH, hose downwards.</p> 	<p>5 Console for fastening to wall and ceiling, type KWH, hose forward.</p> 	<p>6 Console for fastening to wall and ceiling, Type KWH, ceiling mounted.</p> 
<p>7 Wall swivel console, Type SKW, hose downwards. Swinging range 180°</p> 	<p>8 Wall swivel console, Type SKW, hose forward. Swinging range 180°</p> 	<p>9 Both swivel consoles SKW 40/1 and 40/2 can be stopped at 7 angle-positions.</p> 
<p>10 Mounting without console.</p> 	<p>11 Mounting with counter plate for lightweight walls. Counter plates are available for all variations of mounting.</p> 	<p>12 Hose guidance close to the wall, possible for variations of mounting picture 4, 5, 10 and 11.</p> 

Hose reels series ST, dimensioned drawing



Mounting possibilities of the hose inlet:

Standard position : 1.

Alternative positions : 2, 3.

Hose reels ST Series

Data specification

Type	Pijttersen Product code	Enrollable hose length in m depending on outer hose diameter				Nominal width / thread F		Max. Pressure bar	Weight kg	Dimensions in mm								Surface
		Ø15	Ø20	Ø25	Ø30	mm	Zoll			A	B	C	D	E	G	H	K	
ST14/10	2105.035	14	12			10	3/8"	300	14	176	206	239	400	440	75	48	470	Powder coated
ST14/10e	2105.040	14	12			10	3/8"	300	14	176	206	239	400	440	75	48	470	Stainless steel
ST14/10ep	2105.....	14	12			10	3/8"	300	14	176	206	239	400	440	75	48	470	Electro polished
ST14/12	2105.050		12			12	1/2"	200	14	176	206	239	400	440	75	48	470	Powder coated
ST14/12e	2105.055		12			12	1/2"	200	14	176	206	239	400	440	75	48	470	Stainless steel
ST14/12ep	2105.....		12			12	1/2"	200	14	176	206	239	400	440	75	48	470	Electro polished
ST20/10	2105.075	20	17			10	3/8"	300	16	176	206	239	460	500	75	48	530	Powder coated
ST20/10e	2105.080	20	17			10	3/8"	300	16	176	206	239	460	500	75	48	530	Stainless steel
ST20/10ep	2105.....	20	17			10	3/8"	300	16	176	206	239	460	500	75	48	530	Electro polished
ST20/12	2105.090		17			12	1/2"	200	16	176	206	239	460	500	75	48	530	Powder coated
ST20/12e	2105.095		17			12	1/2"	200	16	176	206	239	460	500	75	48	530	Stainless steel
ST20/12ep	2105.....		17			12	1/2"	200	16	176	206	239	460	500	75	48	530	Electro polished
ST20/19	2105.145		17	10	7	19	3/4"	200	17	176	206	254	460	500	75	48	530	Powder coated
ST20/19e	2105.150		17	10	7	19	3/4"	200	17	176	206	254	460	500	75	48	530	Stainless steel
ST20/19ep	2105.....		17	10	7	19	3/4"	200	17	176	206	254	460	500	75	48		Electro polished
ST30/10	2105.....	28				10	3/8"	300	18	226	256	304	460	500	125	106	530	Powder coated
ST30/10e	2105.160	28				10	3/8"	300	18	226	256	304	460	500	125	106	530	Stainless steel
ST30/10ep	2105.....	28				10	3/8"	300	18	226	256	304	460	500	125	106	530	Electro polished
ST30/12	2105.....		25			12	1/2"	200	18	226	256	304	460	500	125	106	530	Powder coated
ST30/12e	2105.165		25			12	1/2"	200	18	226	256	304	460	500	125	106	530	Stainless steel
ST30/12ep	2105.....		25			12	1/2"	200	18	226	256	304	460	500	125	106	530	Electro polished
ST40/10/2	2105.175	40	37			10	3/8"	300	25	276	306	339	460	500	182	152	530	Powder coated
ST40/10/2e	2105.180	40	37			10	3/8"	300	25	276	306	339	460	500	182	152	530	Stainless steel
ST40/10/2ep	2105.....	40	37			10	3/8"	300	25	276	306	339	460	500	182	152	530	Electro polished
ST40/12/2	2105.191		37			12	1/2"	200	25	276	306	339	460	500	182	152	530	Powder coated
ST40/12/2e	2105.193		37			12	1/2"	200	25	276	306	339	460	500	182	152	530	Stainless steel
ST40/19/1	2105.195		20	20	18	19	3/4"	200	20	276	306	354	460	500	182	152	530	Powder coated
ST40/19/1e	2105.200		20	20	18	19	3/4"	200	20	276	306	354	460	500	182	152	530	Stainless steel
ST40/19/1ep	2105.....		20	20	18	19	3/4"	200	20	276	306	354	460	500	182	152	530	Electro polished
ST40/19/2	2105.245		40	36	30	19	3/4"	200	26,5	376	406	454	460	500	282	252	530	Powder coated
ST40/19/2e	2105.250		40	36	30	19	3/4"	200	26,5	376	406	454	460	500	282	252	530	Stainless steel
ST40/19/2ep	2105.....		40	36	30	19	3/4"	200	26,5	376	406	454	460	500	282	252	530	Electro polished
ST60/10/3e	2105.255	57				10	3/8"	300	32,5	376	406	454	460	500	282	252	530	Stainless steel