



Model 32748 Shown

## ***Inline Inlet Filter***

***Models***      **32738**  
                             **32748**

### **FEATURES**

- RTP reinforced composite body with brass threads for durability.
- Low profile permits efficient use of limited space.
- Removable lower half permits easy cleaning without removing strainer or inlet plumbing.
- Flow from inside out so sediment collects inside filter.
- Convenient top auxiliary port for gauge or by-pass return line.

**SELECTION:** Select an inlet filter to match the flow of the system, the type of liquid being pumped and the inlet pressure at the pump.

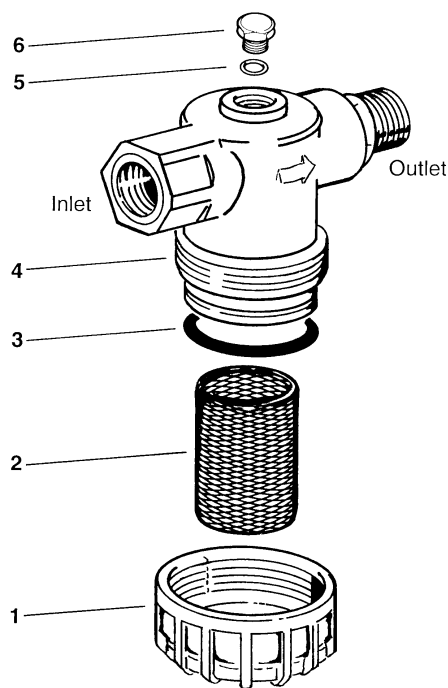
**INSTALLATION:** An inlet filter is installed on the inlet side of the pump. The arrow molded in the filter body indicates the direction of the flow. A shut-off valve is recommended between the filter and the liquid source for convenience when cleaning.

### **SPECIFICATIONS**

	U.S. Measure	Metric Measure
Flow .....	8 GPM	(30 L/M)
Mesh .....	50	(50)
Maximum Inlet Pressure .....	145 PSI	(10 BAR)
Maximum Temperature .....	105° F	(40° C)
Inlet Port .....	1/2" BSPF	(1/2" BSPF)
Discharge Port 32738 .....	1/2" BSPM	(1/2" BSPM)
32748 .....	1/2" BSPF	(1/2" BSPF)
By-Pass Port (Top) .....	1/4" BSPF	(1/4" BSPF)
Weight .....	6.0 oz.	(170 gm)
Dimensions.....	3.66 x 3.03 x 2.20"	(93 x 77 x 56 mm)

**OPERATION:** Flow through the filter is from the inside out, collecting sediment inside the filter. Open holding tanks, recycled water or additives may cause rapid clogging of the filter. Regular checking and cleaning of the filter is suggested to avoid restricting the inlet flow to the pump. Flush filter screen and thread upper body and lower body hand tight for proper seal.

## EXPLODED VIEW



## PARTS LIST

ITEM	PN	MATL	DESCRIPTION	QTY
1	—	RTP	Body, Lower	1
2	33019	SS	Screen (50 Mesh)	1
3	33010	NBR	O-Ring, Body	1
4	—	RTP	Body, Upper	1
5	33986	FBR	Gasket (1/4")	1
6	33984	BB	Plug, Hex Head (1/4" BSPM)	1

MATERIAL CODES (Not Part of Part Number): BB=Brass FBR=Fiber  
NBR=Medium Nitrile (Buna-N) RTP=Reinforced Composite SS=316SS

## TROUBLESHOOTING

System pulsation	<ul style="list-style-type: none"> <li>● Clogged filter. Flush screen.</li> </ul>
Leaking at center connection	<ul style="list-style-type: none"> <li>● Cut or pinched O-ring. Replace for proper seal.</li> </ul>
Low system pressure	<ul style="list-style-type: none"> <li>● Clogged filter. Restricted inlet water. Flush screen. Increase filter flush cycle.</li> </ul>
Pitted valves, seats in pump	<ul style="list-style-type: none"> <li>● Clogged filter. Prolonged insufficient inlet flow. Increase filter flush cycle.</li> <li>● Increase Filter capacity to match system.</li> </ul>

## WARRANTY

### 90 Day Warranty

Refer to complete CAT PUMPS Warranty for further information.



# PIJTTERSEN

Pijtersen B.V.  
Stavangerweg 14A  
9723 JC GRONINGEN  
THE NETHERLANDS

Tel.: +31 (0)50-8200963  
E-mail : [info@pijtersen.nl](mailto:info@pijtersen.nl) / [info@catpumps.nl](mailto:info@catpumps.nl)  
Internet: [www.pijtersen.nl](http://www.pijtersen.nl) / [www.catpumps.nl](http://www.catpumps.nl)

