



**PIJTTERSEN**

E-mail : info@pijttersen.nl / info@catpumps.nl  
 Internet: www.pijttersen.nl / www.catpumps.nl



**FEATURES**

- | Durable nylon body for corrosion resistance.
- | Easily cleaned without removing filter or inlet plumbing.
- | Flow from inside out so sediment collects inside filter.
- | Optional mesh size and clear body available.

**Inline Filter**

**Models 7104 , 7105  
 7106 , 7107  
 7108**

**SPECIFICATIONS**

	U.S. Measure	Metric Measure
<b>MODEL 7104 AND 7104.4</b>		
Suction Flow.....	6 gpm	(23 lpm)
Pressurized Flow.....	10 gpm	(38 lpm)
Inlet/Discharge Port .....	1/2" NPTF	(1/2" NPTF)
Weight.....	6 oz.	(0.17 Kg)
Dimensions.....	3.6 x 2.95 x 5.35"	(91.5 x 75 x 136 mm)
<b>MODEL 7105 AND 7105.5</b>		
Suction Flow.....	15 gpm	(57 lpm)
Pressurized Flow.....	20 gpm	(76 lpm)
Inlet/Discharge Port .....	3/4" NPTF	(3/4" NPTF)
Weight.....	7 oz.	(0.20 Kg)
Dimensions.....	3.6 x 2.95 x 5.35"	(91.5 x 75 x 136 mm)
<b>MODEL 7106 AND 7106.6</b>		
Suction Flow.....	20 gpm	(76 lpm)
Pressurized Flow.....	25 gpm	(95 lpm)
Inlet/Discharge Port .....	1" NPTF	(1" NPTF)
Weight.....	16 oz.	(0.46 Kg)
Dimensions.....	5.0 x 4.1 x 6.35"	(127 x 104 x 161 mm)
<b>MODEL 7107 AND 7107.7</b>		
Suction Flow.....	35 gpm	(133 lpm)
Pressurized Flow.....	50 gpm	(189 lpm)
Inlet/Discharge Port .....	1-1/4" NPTF	(1-1/4" NPTF)
Weight.....	18 oz.	(0.51 Kg)
Dimensions.....	5.0 x 4.1 x 7.0"	(127 x 104 x 178 mm)
<b>MODEL 7108 AND 7108.8</b>		
Suction Flow.....	60 gpm	(227 lpm)
Pressurized Flow.....	75 gpm	(284 lpm)
Inlet/Discharge Port .....	1-1/2" NPTF	(1-1/2" NPTF)
Weight.....	19 oz.	(0.52 Kg)
Dimensions.....	5.13 x 4.1 x 8.13"	(130 x 104 x 206.5 mm)

**COMMON SPECIFICATIONS**

Mesh.....	80	(80)
Micron Equivalent.....	178	(178)
Inlet Pressure @ 70°F .....	10 to 150 psi	(0.7 to 10.5 bar)
@125°F .....	10 to 100 psi	(0.7 to 7 bar)
@160°F .....	10 to 30 psi	(0.7 to 2 bar)
Max. Temperature.....	160°F	(71°C)

Order .Suffix Numbers for clear body, eg: 7104.4 or 7105.5

**⚠ CAUTIONS AND WARNINGS**

All High Pressure Systems require a primary pressure regulating device (i.e. regulator, unloader) and a secondary pressure relief device (i.e. pop-off valve, relief valve). Failure to install such relief devices could result in personal injury or damage to pump or property. CAT PUMPS does not assume any liability or responsibility for the operation of a customer's high pressure system.

Read all CAUTIONS and WARNINGS before commencing service or operation of any high pressure system. The CAUTIONS and WARNINGS are included in each service manual and with each Accessory Data sheet. CAUTIONS and WARNINGS can also be viewed online at [www.catpumps.com/cautions-warnings](http://www.catpumps.com/cautions-warnings) or can be requested directly from CAT PUMPS.

**WARRANTY**

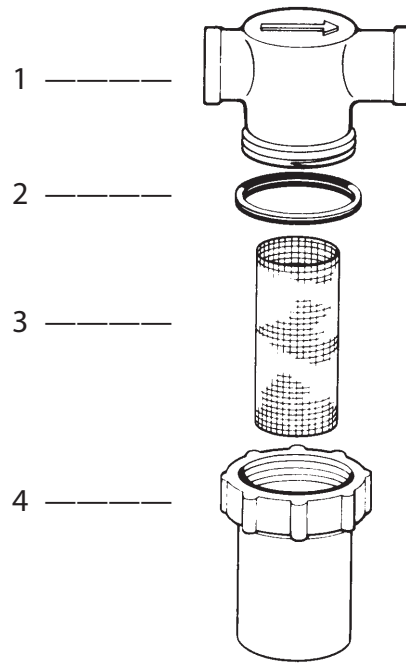
View the Limited Warranty on-line at [www.catpumps.com/warranty](http://www.catpumps.com/warranty).

**SELECTION:** Select a filter appropriate for the flow and pumped liquid in your system. **Typically the filter capacity should be two times the pump flow rate.** Both white and clear bowls are available. A regular inspection will avoid problems. The clear bowl will immediately show a clogged screen.

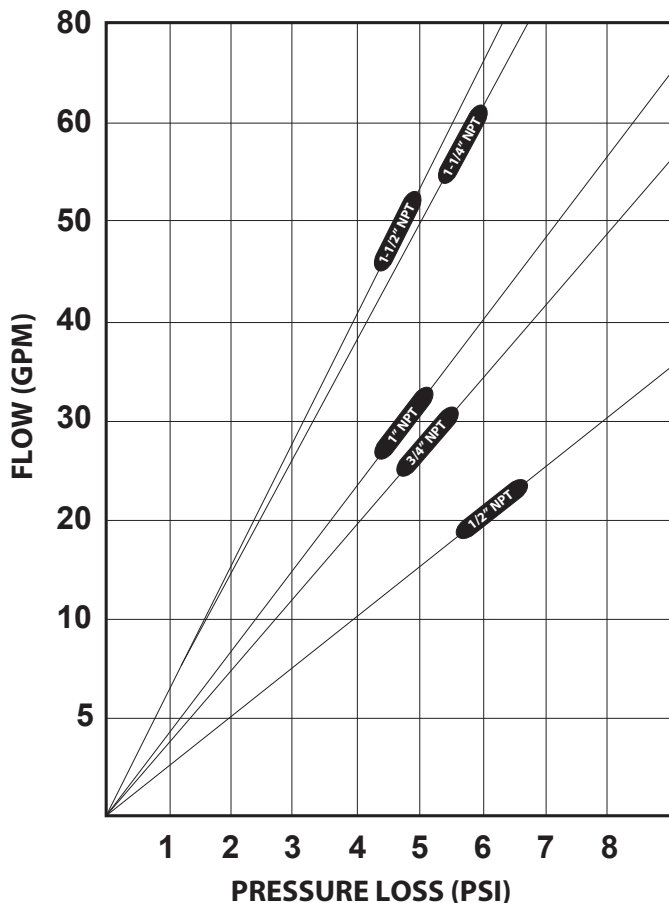
**INSTALLATION:** An inline filter is normally installed on the inlet side of the pump. The arrow molded in the filter cap indicates the direction of flow through the filter. A shut-off valve is recommended between the filter and liquid source for convenience when cleaning the filter.

**OPERATION:** Flow through the filter is from the inside out, collecting the sediment inside the filter. Regular checking and cleaning of the screen is suggested to avoid restricting the inlet flow to the pump.

**MAINTENANCE: Flush screen regularly** and reinstall into body. Check gasket for cuts or wear and replace if necessary to assure proper seal. Thread body and cap hand tight for proper seal.



### 1/2" THRU 1-1/2" NPTF INLINE FILTERS



### PARTS LIST

ITEM	PART NO.	MATL	DESCRIPTION	QTY
1	—	—	Body	1
2	33071	NBR	Gasket, 1/2", 3/4"	1
2	33073	NBR	Gasket, 1", 1-1/4", 1-1/2"	1
2	33082	FPM	Gasket, 1/2", 3/4"	1
2	33083	FPM	Gasket, 1", 1-1/4", 1-1/2"	1
3	33072	S	Screen, 1/2", 3/4" 80 mesh	1
3	33074	S	Screen, 1" 80 mesh	1
3	33075	S	Screen, 1-1/4" 80 mesh	1
3	33076	S	Screen, 1-1/2" 80 mesh	1
4	33077	NY	Bowl, clear, 1/2", 3/4"	1
4	33078	NY	Bowl, white, 1/2", 3/4"	1
4	33079	NY	Bowl, clear, 1", 1-1/4", 1-1/2"	1
4	33080	NY	Bowl, white, 1", 1-1/4", 1-1/2"	1

MATERIAL CODES (Not Part of Part Number): FPM=Fluorocarbon  
NBR=Medium Nitrile (Buna-N) NY=Nylon S=304SS

Optional Mesh sizes available



# PIJTTERSEN

Pijtersen B.V.  
Stavangerweg 14A  
9723 JC GRONINGEN  
THE NETHERLANDS

Tel.: +31 (0)50-8200963

E-mail : [info@pijtersen.nl](mailto:info@pijtersen.nl) / [info@catpumps.nl](mailto:info@catpumps.nl)

Internet: [www.pijtersen.nl](http://www.pijtersen.nl) / [www.catpumps.nl](http://www.catpumps.nl)



*The Pumps with Nine Lives*